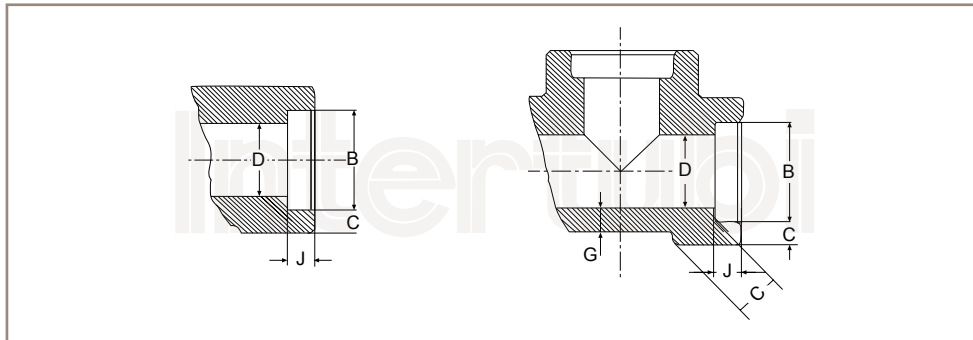


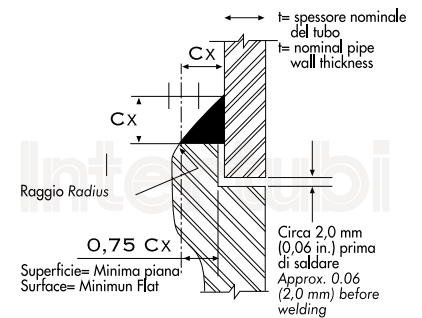
**ACCIAIO INOX | STAINLESS STEEL**

**RACCORDI A SALDARE A TASCA ANSI B16.11**  
***SOCKET WELDING FITTINGS ANSI B16.11***


**DIMENSIONI DEI  
SOCKET WELDING  
ANSI B16.11**
**SOCKET WELDING  
FITTING DIMENSIONS  
ANSI B16.11**
**DIMENSIONI RICHIESTE PER LA SALDATURA DI COMPONENTI DA SALDARE A TASCA  
WELDING DIMENSIONS REQUIRED FOR SOCKET-WELDING COMPONENTS**

Dimensioni in mm | Dimensions in mm

Diámetro nominale		1/8"	1/4"	3/8"	1/2"	3/4"	1"	1 1/4"	1 1/2"	2"	2 1/2"	3"	4"	
B	mini	10.65	14.10	17.55	21.70	27.05	33.80	42.55	48.65	61.10	73.80	89.80	115.45	
	maxi	10.90	14.35	17.80	21.95	27.30	34.05	42.80	48.90	61.35	74.20	90.15	115.80	
D	3000 ib	mini	6.10	8.50	11.80	15.00	20.20	25.90	34.30	40.10	51.70	61.20	76.40	100.70
		maxi	7.60	10.00	13.30	16.60	21.70	27.40	35.80	41.70	53.50	64.20	79.50	103.80
	6000 ib	mini	3.20	5.60	8.40	15.00	14.80	19.90	28.70	33.20	42.10			
		maxi	4.80	7.10	9.90	12.50	16.30	21.50	30.20	34.70	43.60			
C <sup>(1)</sup>	3000 ib	medio	3.20	3.80	4.00	4.65	4.90	5.70	6.05	6.35	6.95	8.75	9.50	10.70
		mini	3.20	3.30	3.50	4.10	4.25	5.00	5.30	5.55	6.05	7.65	8.30	9.35
	6000 ib	medio	3.95	4.60	5.05	5.95	6.95	7.90	7.90	8.90	10.90			
		mini	3.45	4.00	4.35	5.20	6.05	6.95	6.95	7.80	9.50			
	G mini.	3000 ib	2.40	3.00	3.20	3.75	3.90	4.55	4.85	5.10	5.55	7.00	7.60	8.55
		6000 ib	3.15	3.70	4.00	4.80	5.55	6.35	6.35	7.15	8.75			
J mini.		10.00	10.00	10.00	10.00	13.00	13.00	13.00	13.00	16.00	16.00	16.00	19.00	


 $Cx (min.) = 1.09 t$ , ma non meno di 3 mm (0,12 in.)

 $Cx (min.) = 1.09 t$ , but not less than 0,12 mm (3,0 mm.)

Dimensioni in pollici | Dimensions in inches

Nominal pipe size		1/8"	1/4"	3/8"	1/2"	3/4"	1"	1 1/4"	1 1/2"	2"	2 1/2"	3"	4"	
B	mini	0.420	0.555	0.690	0.855	1.065	1.330	1.675	1.915	2.406	2.906	3.535	4.545	
	maxi	0.430	0.565	0.700	0.865	1.075	1.340	1.685	1.925	2.416	2.961	3.550	4.560	
D	3000 ib	mini	0.239	2.334	0.463	0.592	0.794	1.019	1.350	1.580	2.037	2.409	3.008	3.966
		maxi	0.299	0.394	0.523	0.652	0.854	1.079	1.410	1.640	2.097	2.529	3.128	4.086
	6000 ib	mini	0.126	0.220	0.329	0.434	0.582	0.785	1.130	1.308	1.657			
		maxi	0.189	0.280	0.389	0.494	0.642	0.845	1.190	1.368	1.717			
C <sup>(1)</sup>	3000 ib	medium	0.125	0.149	0.158	0.184	0.193	0.224	0.239	0.250	0.273	0.345	0.375	0.421
		mini	0.125	0.130	0.138	0.161	0.168	0.196	0.208	0.218	0.238	0.302	0.327	0.368
	6000 ib	medium	0.156	0.181	0.198	0.235	0.274	0.312	0.312	0.351	0.430			
		mini	0.135	0.158	0.172	0.204	0.238	0.273	0.273	0.307	0.374			
	G mini.	3000 ib	0.095	0.119	0.126	0.147	0.154	0.179	0.191	0.200	0.218	0.276	0.300	0.337
		6000 ib	0.124	0.145	0.158	0.188	0.219	0.250	0.250	0.281	0.344			
J mini.		0.38	0.38	0.38	0.38	0.50	0.50	0.50	0.50	0.62	0.62	0.62	0.75	

<sup>(1)</sup> Lo spessore medio del finale della parete del raccordo non sarà inferiore ai valori elencati. I valori minimi sono autorizzati su superfici delimitate.

<sup>(1)</sup> Average of socket wall thickness around periphery shall be no less than listed values. The minimum values are permitted in localized areas.

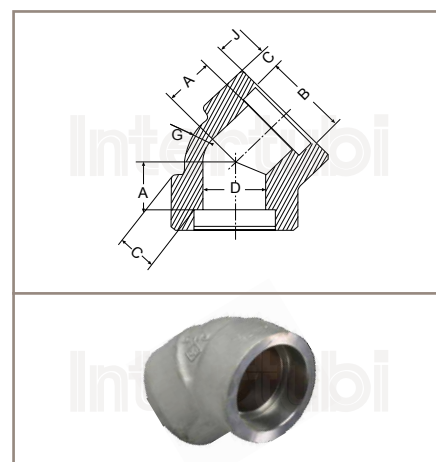
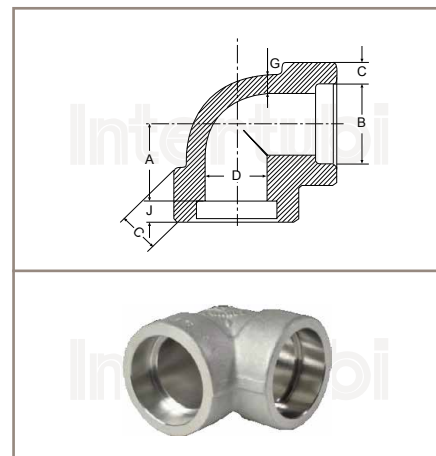
**GOMITI**  
ANSI B16.11  
3000 - 6000 LBS

**ELBOWS**  
ANSI B16.11  
3000 - 6000 LBS

Diam. nominale Nominal pipe size	Dal centro alla base del raccordo A Center to bottom of socket A									
	90°				45°				Tolleranze ± Tolerances ±	
	3000		6000		3000		6000			
	mm	inches	mm	inches	mm	inches	mm	inches	mm	inches
1/4"	11.0	0.44	13.5	0.53	8.0	0.31	8.0	0.31	1.0	0.03
3/8"	13.5	0.53	15.5	0.62	7.5	0.31	11.5	0.44	1.5	0.06
1/2"	15.5	0.62	19.5	0.75	11.5	0.44	12.5	0.50	1.5	0.06
3/4"	19.5	0.75	22.5	0.88	12.5	0.50	14.5	0.56	1.5	0.06
1"	22.0	0.88	27.0	1.06	14.0	0.56	17.0	0.69	2.0	0.08
1 1/4"	27.0	1.06	32.0	1.25	17.0	0.69	21.0	0.81	2.0	0.08
1 1/2"	32.0	1.25	38.0	1.50	21.0	0.81	25.0	1.00	2.0	0.08
2"	38.0	1.50	41.0	1.62	25.0	1.00	29.0	1.12	2.0	0.08
2 1/2"	41.5	1.62			29.0	1.12			2.5	0.10
3"	57.5	2.25			31.5	1.25			2.5	0.10
4"	66.5	2.62			41.5	1.62			2.5	0.10

\* Per quote B - C - D - G - J si vedano caratteristiche dimensionali nella pagina accanto

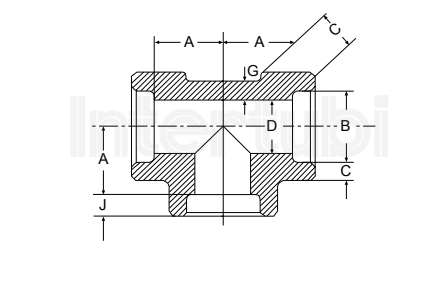
\* For dimensions B - C - D - G - J refer to dimensions of s.w. fittings shown on the opposite page



**TEES S.W.**  
ANSI B16.11  
3000 - 6000 LBS

**TEES S.W.**  
ANSI B16.11  
3000 - 6000 LBS

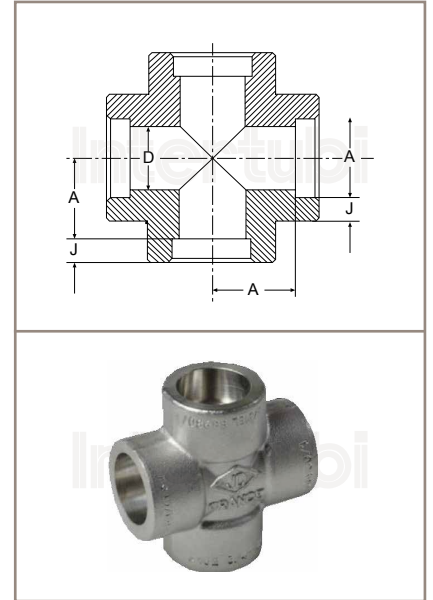
Diam. nominale Nominal pipe size	Dal centro alla base del raccordo A Center to bottom of socket A					
	3000		6000		Tolleranze ± Tolerances ±	
	mm	inches	mm	inches		
1/4"	11.0	0.44	13.5	0.53	1.0	0.03
3/8"	13.5	0.53	15.5	0.62	1.5	0.06
1/2"	15.5	0.62	19.5	0.75	1.5	0.06
3/4"	19.5	0.75	22.5	0.88	1.5	0.06
1"	22.0	0.88	27.0	1.06	2.0	0.08
1 1/4"	27.0	1.06	32.0	1.25	2.0	0.08
1 1/2"	32.0	1.25	38.0	1.50	2.0	0.08
2"	38.0	1.50	41.0	1.62	2.0	0.08
2 1/2"	41.5	1.62			2.5	0.10
3"	57.5	2.25			2.5	0.10
4"	66.5	2.62			2.5	0.10



**CROCI S.W.**  
 ANSI B16.11  
 3000 - 6000 LBS

**CROSSES S.W.**  
 ANSI B16.11  
 3000 - 6000 LBS

Diam. nominale Nominal pipe size	Dal centro alla base del raccordo A Center to bottom of socket A					
	3000		6000		Tolleranze ± Tolerances ±	
	mm	inches	mm	inches	mm	inches
1/4"	11.0	0.44	13.5	0.53	1.0	0.03
3/8"	13.5	0.53	15.5	0.62	1.5	0.06
1/2"	15.5	0.62	19.5	0.75	1.5	0.06
3/4"	19.5	0.75	22.5	0.88	1.5	0.06
1"	22.0	0.88	27.0	1.06	2.0	0.08
1 1/4"	27.0	1.06	32.0	1.25	2.0	0.08
1 1/2"	32.0	1.25	38.0	1.50	2.0	0.08
2"	38.0	1.50	41.0	1.62	2.0	0.08
2 1/2"	41.5	1.62			2.5	0.10
3"	57.5	2.25			2.5	0.10
4"	66.5	2.62			2.5	0.10



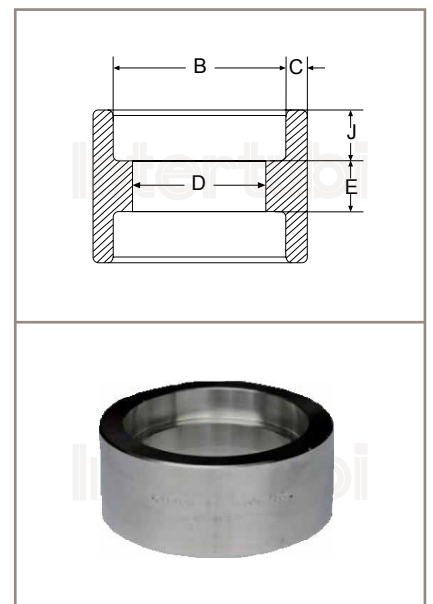
\* Per quote B - C - D - G - J si vedano caratteristiche dimensionali a pagina **VEDI DEFINITIVO**

\* For dimensions B - C - D - G - J refer to dimensions of s.w. fittings shown on page

**MANICOTTI S.W.**  
 ANSI B16.11  
 3000 - 6000 LBS

**COUPLINGS S.W.**  
 ANSI B16.11  
 3000 - 6000 LBS

Diam. nominale Nominal pipe size	Coste di montaggio / Laying lengths											
	Manicotti / Couplings - E						Mezzi manicotti / Half couplings - F					
	3000		6000		Tolleranze ± Tolerances ±		3000		6000		Tolleranze ± Tolerances ±	
mm	inches	mm	inches	mm	inches	mm	inches	mm	inches	mm	inches	
1/4"	6.5	0.25	6.5	0.25	1.5	0.06	16.0	0.62	16.0	0.62	1.0	0.03
3/8"	6.5	0.25	6.5	0.25	3.0	0.12	17.5	0.69	17.5	0.69	1.5	0.06
1/2"	9.5	0.38	9.5	0.38	3.5	0.12	22.5	0.88	22.5	0.88	1.5	0.06
3/4"	9.5	0.38	9.5	0.38	3.5	0.12	23.5	0.94	23.5	0.94	1.5	0.06
1"	13.0	0.50	13.0	0.50	4.0	0.16	29.0	1.12	29.0	1.12	2.0	0.08
1 1/4"	13.0	0.50	13.0	0.50	4.0	0.16	30.0	1.19	30.0	1.19	2.0	0.08
1 1/2"	13.0	0.50	13.0	0.50	4.0	0.16	32.0	1.25	32.0	1.25	2.0	0.08
2"	19.0	0.75	19.0	0.75	4.0	0.16	41.0	1.62	41.0	1.62	2.0	0.08
2 1/2"	19.0	0.75	19.0	0.75	5.0	0.20	42.5	1.69	42.5	1.69	2.5	0.10
3"	19.0	0.75	19.0	0.75	5.0	0.20	44.5	1.75	44.5	1.75	2.5	0.10
4"	19.0	0.75	19.0	0.75	5.0	0.20	47.5	1.88	47.5	1.88	2.5	0.10



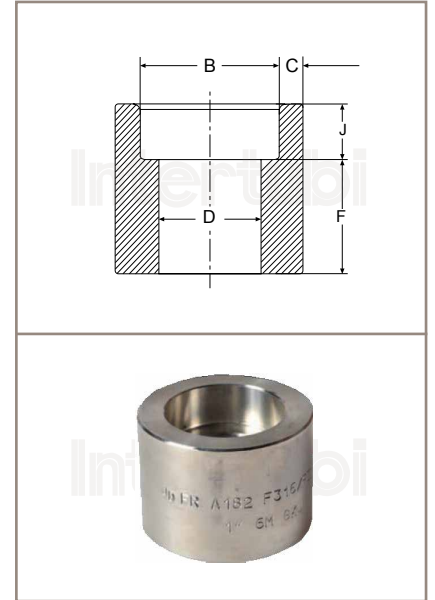
**MEZZI MANICOTTI S.W.**

ANSI B16.11  
3000 - 6000 LBS

**HALF-COUPPLINGS S.W.**

ANSI B16.11  
3000 - 6000 LBS

Diam. nominale Nominal pipe size	Coste di montaggio / Laying lengths											
	Manicotti / Couplings - E						Mezzi manicotti / Half couplings - F					
	3000		6000		Tolleranze ± Tolerances ±		3000		6000		Tolleranze ± Tolerances ±	
	mm	inches	mm	inches	mm	inches	mm	inches	mm	inches	mm	inches
1/4"	6.5	0.25	6.5	0.25	1.5	0.06	16.0	0.62	16.0	0.62	1.0	0.03
3/8"	6.5	0.25	6.5	0.25	3.0	0.12	17.5	0.69	17.5	0.69	1.5	0.06
1/2"	9.5	0.38	9.5	0.38	3.5	0.12	22.5	0.88	22.5	0.88	1.5	0.06
3/4"	9.5	0.38	9.5	0.38	3.5	0.12	23.5	0.94	23.5	0.94	1.5	0.06
1"	13.0	0.50	13.0	0.50	4.0	0.16	29.0	1.12	29.0	1.12	2.0	0.08
1 1/4"	13.0	0.50	13.0	0.50	4.0	0.16	30.0	1.19	30.0	1.19	2.0	0.08
1 1/2"	13.0	0.50	13.0	0.50	4.0	0.16	32.0	1.25	32.0	1.25	2.0	0.08
2"	19.0	0.75	19.0	0.75	4.0	0.16	41.0	1.62	41.0	1.62	2.0	0.08
2 1/2"	19.0	0.75	19.0	0.75	5.0	0.20	42.5	1.69	42.5	1.69	2.5	0.10
3"	19.0	0.75	19.0	0.75	5.0	0.20	44.5	1.75	44.5	1.75	2.5	0.10
4"	19.0	0.75	19.0	0.75	5.0	0.20	47.5	1.88	47.5	1.88	2.5	0.10



\* Per quote B - C - D - G - J si vedano caratteristiche dimensionali a pagina **VEDI DEFINITIVO**

\* For dimensions B - C - D - G - J refer to dimensions of s.w. fittings shown on page

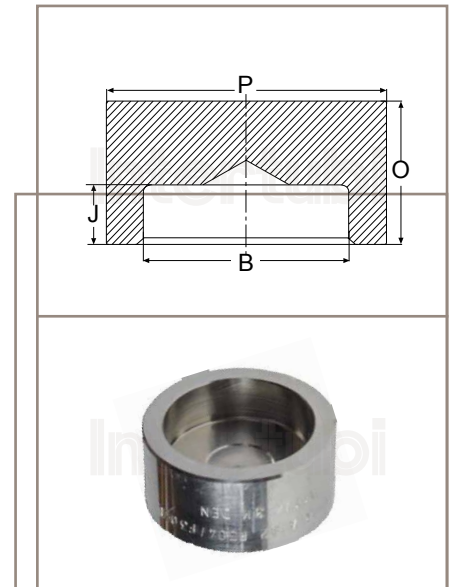
**TAPPO FEMMINA S.W.**

ANSI B16.11  
3000 - 6000 LBS

**CAPS S.W.**

ANSI B16.11  
3000 - 6000 LBS

Diam. nominale Nominal pipe size	3000				6000			
	O <sup>(1)</sup>		P <sup>(1)</sup>		O <sup>(1)</sup>		P <sup>(1)</sup>	
	mm	inches	mm	inches	mm	inches	mm	inches
1/4"	20	0.59	22	0.87	17.5	0.69	23.1	0.91
3/8"	20	0.67	26	1.02	19.1	0.75	26.7	1.05
1/2"	20	0.75	32	1.26	22	0.87	34	1.34
3/4"	25	0.91	38	1.50	26	1.02	41	1.61
1"	26	1.02	45	1.77	28	1.10	50	1.97
1 1/4"	30	1.10	55	2.17	30	1.18	58	2.28
1 1/2"	31	1.18	60	2.56	32	1.26	66.5	2.62
2"	38	1.42	75	2.95	38	1.50	85	3.35
2 1/2"	41	1.50	95	3.62	42	1.65	100	3.94
3"	43	1.65	110	4.33	45	1.77	120	4.72
4"	48	1.89	140	5.51	51	2.01	150	5.91



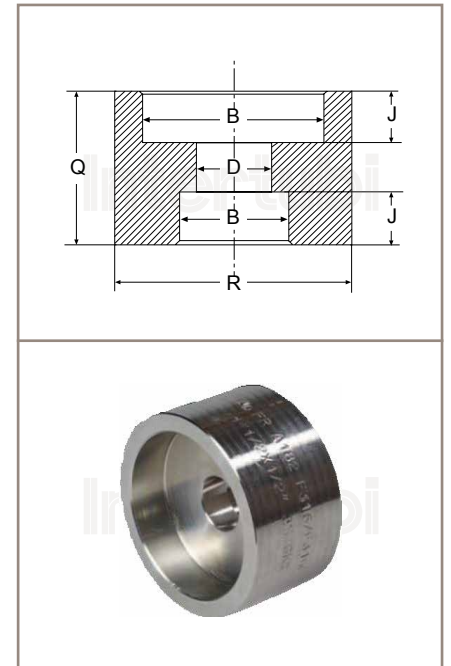
<sup>(1)</sup> Le dimensioni non elencate nell'ANSI B 16.11-1980 e BS 3799-1974 possono variare a seconda del produttore.

<sup>(1)</sup> Dimensions not listed in ANSI B 16.11-1980 and BS 3799-1974 may vary according to the manufacturer.

**MANICOTTI RIDOTTI S.W.**  
 ANSI B16.11  
 3000 - 6000 LBS

**REDUCING COUPLINGS S.W.**  
 ANSI B16.11  
 3000 - 6000 LBS

Diam. nominale Nominal pipe size	3000				6000			
	Q <sup>(1)</sup>		R <sup>(1)</sup>		Q <sup>(1)</sup>		R <sup>(1)</sup>	
	mm	inches	mm	inches	mm	inches	mm	inches
3/8" x 1/4"	25.4	1	24.9	0.98	25.4	1	26.7	1.05
1/2" x 3/8"	28.7	1.13	31.0	1.22	28.7	1.13	33.0	1.30
1/2" x 1/4"	28.7	1.13	31.0	1.22	28.7	1.13	33.0	1.30
3/4" x 1/2"	35.0	1.38	36.0	1.42	35.0	1.38	40.1	1.58
3/4" x 1/4"	35.0	1.38	36.0	1.42	35.0	1.38	40.1	1.58
1" x 3/4"	38.1	1.50	45.2	1.78	38.1	1.50	50.0	1.97
1" x 1/2"	38.1	1.50	45.2	1.78	38.1	1.50	50.0	1.97
1" x 1/4"	38.1	1.50	45.2	1.78	38.1	1.50	50.0	1.97
1 1/4" x 1"	38.1	1.50	55.1	2.17	38.1	1.50	57.9	2.28
1 1/2" x 1"	38.1	1.50	60.0	2.36	38.1	1.50	65.0	2.56
1 1/2" x 3/4"	38.1	1.50	60.0	2.36	38.1	1.50	65.0	2.56
1 1/2" x 1/2"	38.1	1.50	60.0	2.36	38.1	1.50	65.0	2.56
2" x 1/2"	51.3	2.02	74.9	2.95	51.3	2.02	82.0	3.23
2" x 1"	51.3	2.02	74.9	2.95	51.3	2.02	82.0	3.23



\* Per quote B - D - J si vedano caratteristiche dimensionali a pagina **VEDI DEFINITIVO**

\* For dimensions B - D - J refer to dimensions of s.w. fittings shown on page

**DERIVAZIONE S.W.**  
 ANSI B16.11  
 3000 - 6000 LBS

**SOCKET WELDING OUTLET**  
 ANSI B16.11  
 3000 - 6000 LBS

Diam. nominale Nominal pipe size	3000 - 6000					
	K <sup>(1)</sup>		M <sup>(1)</sup>		N <sup>(1)</sup>	
	mm	inches	mm	inches	mm	inches
1/4"	30.5	1.20	28.0	1.10	14.0	0.55
3/8"	30.5	1.20	32.0	1.26	17.4	0.69
1/2"	33.5	1.32	38.0	1.50	21.6	0.85
3/4"	35.0	1.38	44.5	1.75	26.9	1.06
1"	43.0	1.69	57.5	2.26	33.6	1.32
1 1/4"	48.0	1.89	63.5	2.50	42.4	1.67
1 1/2"	51.0	2.00	76.1	3.00	48.5	1.91
2"	57.5	2.26	92.0	3.62	60.9	2.40



<sup>(1)</sup> Le dimensioni non elencate nell'ANSI B 16.11-1980 e BS 3799-1974 possono variare a seconda del produttore.

<sup>(1)</sup> Dimensions not listed in ANSI B 16.11-1980 and BS 3799-1974 may vary according to the manufacturer.

Da 1/4" A 2" L = 9,5 mm | From 1/4" To 2" L = 0,375 inch

**RIDUZIONI MASCHIO-FEMMINA S.W.**  
ANSI B16.11  
3000 LBS

**REDUCER INSERTS S.W.**  
ANSI B16.11  
3000 LBS

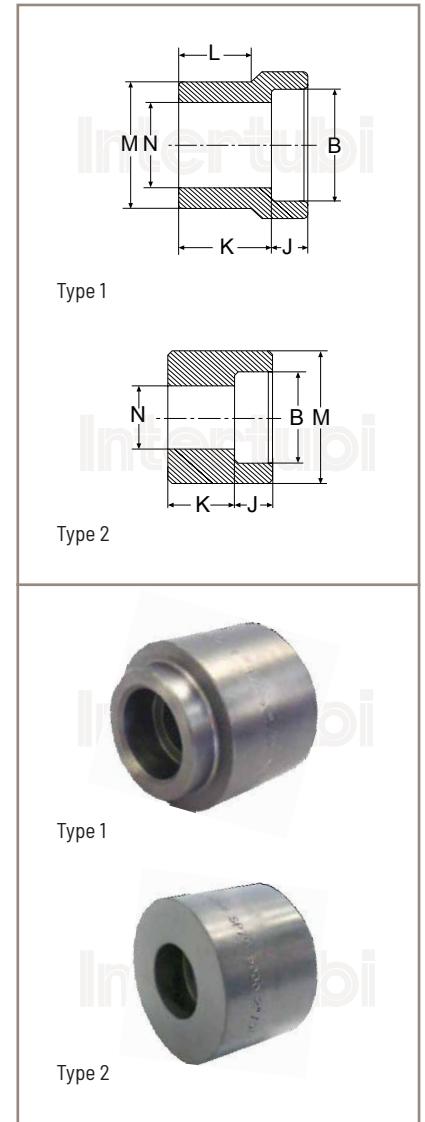
Diam. nominale Nominal pipe size	TIPO TYPE	M <sup>(1)</sup>		N <sup>(1)</sup>		K <sup>(1)</sup>		L <sup>(1)</sup>	
		mm	inches	mm	inches	mm	inches	mm	inches
1/2" x 3/8"	1	21.6	0.850	11	0.44	24	0.94	20	0.78
1/2" x 1/4"	2	21.6	0.850	7.5	0.30	15.5	0.62		
1/2" x 1/8"	3	21.6	0.850	5.5	0.22	15.5	0.62	7	0.28
3/4" x 1/2"	1	26.9	1.060	14	0.56	27	1.06	22	0.87
3/4" x 3/8"	2	26.9	1.060	11	0.44	15.5	0.62		
3/4" x 1/4"	3	26.9	1.060	7.5	0.30	15.5	0.62	7	0.28
3/4" x 1/8"	3	26.9	1.060	5.5	0.22	15.5	0.62	7	0.28
1" x 3/4"	1	33.6	1.325	19	0.75	28.5	1.12	23	0.91
1" x 1/2"	2	33.6	1.325	14	0.56	24	0.94		
1" x 3/8"	3	33.6	1.325	11	0.44	23	0.90	7	0.28
1" x 1/4"	3	33.6	1.325	7.5	0.30	24	0.94	7	0.28
1 1/4" x 1"	1	42.4	1.670	24.5	0.97	31.5	1.25	24.5	0.97
1 1/4" x 3/4"	2	42.4	1.670	19	0.75	22	0.87		
1 1/4" x 1/2"	3	42.4	1.670	14	0.56	24.5	0.97	7	0.28
1 1/2" x 1 1/4"	1	48.5	1.970	32.5	1.28	33.5	1.31	27	1.06
1 1/2" x 1"	2	48.5	1.910	24.5	0.97	33.5	1.31		
1 1/2" x 3/4"	3	48.5	1.910	19	0.75	22	0.87	8	0.32
1 1/2" x 1/2"	3	48.5	1.910	14	0.56	26	1.03	7	0.28
2" x 1 1/2"	2	60.9	2.400	38	1.50	27	1.06		
2" x 1 1/4"	3	60.9	2.400	32.5	1.28	25.5	1.00	8	0.32
2" x 1"	3	60.9	2.400	24.5	0.97	25.5	1.00	8	0.32
2" x 3/4"	3	60.9	2.400	19	0.75	25.5	1.00	8	0.32
2" x 1/2"	3	60.9	2.400	14	0.56	29.5	1.16	7	0.28
2 1/2" x 2"	1	79.6	2.900	49	1.93	41.5	1.63	30	1.19
2 1/2" x 1 1/2"	3	79.6	2.900	38	1.50	27.5	1.09	8	0.32
2 1/2" x 1 1/4"	3	79.6	2.900	32.5	1.28	29.5	1.16	8	0.32
2 1/2" x 1"	3	79.6	2.900	24.5	0.97	29.5	1.16	8	0.32
3" x 2 1/2"	1	89.6	3.530	59	2.32	46	1.81	33.5	1.32
3" x 2"	3	89.6	3.530	49	1.93	41.5	1.63	10	0.40
3" x 1 1/2"	3	89.6	3.530	38	1.50	42	1.66	8	0.32
3" x 1 1/4"	3	89.6	3.530	32.5	1.28	42.5	1.67	8	0.32
3" x 1"	3	89.6	3.530	24.5	0.97	39	1.53	8	0.32

\* Per quote B - J si vedano caratteristiche dimensionali a pagina **VEDI DEFINITIVO**

\* For dimensions B - J refer to dimensions of s.w. fittings shown on page

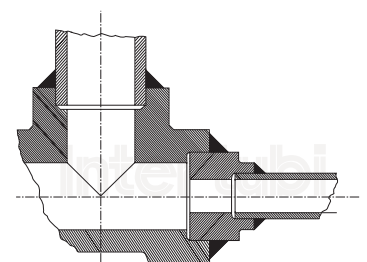
<sup>(1)</sup> Le dimensioni non elencate nell'ANSI B 16.11-1980 e BS 3799-1974 possono variare a seconda del produttore.

<sup>(1)</sup> Dimensions not listed in ANSI B 16.11-1980 and BS 3799-1974 may vary according to the manufacturer.



Esempio di utilizzo di una riduzione maschio/femmina

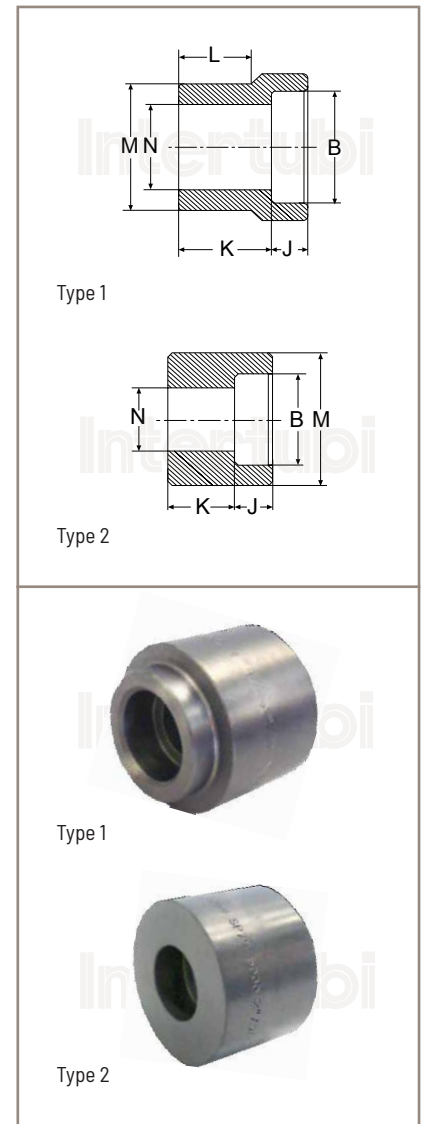
Application of reducer insert



**RIDUZIONI MASCHIO-FEMMINA S.W.**  
 ANSI B16.11  
 6000 LBS

**REDUCER INSERTS S.W.**  
 ANSI B16.11  
 6000 LBS

Diam. nominale Nominal pipe size	TIPO TYPE	M <sup>(1)</sup>		N <sup>(1)</sup>		K <sup>(1)</sup>		L <sup>(1)</sup>	
		mm	inches	mm	inches	mm	inches	mm	inches
1/2" x 3/8"	1	21.6	0.850	11	0.44	30	1.19	21	0.83
3/4" x 1/2"	1	26.9	1.060	12	0.47	33.5	1.31	23	0.90
3/4" x 3/8"	2	26.9	1.060	11	0.44	25.5	1.00		
1" x 3/4"	1	33.6	1.325	15.5	0.61	42	1.66	26	1.03
1" x 1/2"	1	33.6	1.325	12	0.47	40	1.58	24	0.94
1" x 3/8"	3	33.6	1.325	11	0.44	28.5	1.12	7	0.28
1 1/4" x 1"	1	42.4	1.670	20.5	0.81	43	1.70	28	1.11
1 1/4" x 3/4"	1	42.4	1.670	15.5	0.61	43	1.70	28	1.11
1 1/4" x 1/2"	2	42.4	1.670	12	0.47	32	1.26		
1 1/4" x 3/8"	3	42.4	1.670	11	0.44	32.5	1.28	7	0.28
1 1/2" x 1 1/4"	1	48.5	1.910	29.5	1.16	51	2.01	32	1.27
1 1/2" x 1"	1	48.5	1.910	20.5	0.81	49	1.93	28	1.11
1 1/2" x 3/4"	2	48.5	1.910	15.5	0.61	35	1.38		
1 1/2" x 1/2"	3	48.5	1.910	12	0.47	39	1.53	7	0.28
2" x 1 1/2"	1	60.9	2.400	34	1.34	46	1.81	34	1.34
2" x 1 1/4"	1	60.9	2.400	29.5	1.16	47.5	1.87	34	1.34
2" x 1"	3	60.9	2.400	20.5	0.81	36	1.42	8	0.32
2" x 3/4"	3	60.9	2.400	15.5	0.61	36	1.42	8	0.32
2" x 1/2"	3	60.9	2.400	12	0.47	39	1.53	7	0.28
2 1/2" x 2"	1	73.6	2.900	43	1.70	54	2.13	36	1.42
2 1/2" x 1 1/2"	2	73.6	2.900	34	1.34	47.5	1.87		
2 1/2" x 1 1/4"	3	73.6	2.900	29.5	1.16	42	1.66	8	0.32
2 1/2" x 1"	3	73.6	2.900	20.5	0.81	44	1.73	8	0.32
2 1/2" x 3/4"	3	73.6	2.900	15.5	0.61	44	1.73	8	0.32
2 1/2" x 1/2"	3	73.6	2.900	12	0.47	46.5	1.83	7	0.28
3" x 2 1/2"	1	89.6	3.530	54	2.13	63.5	2.50	38	1.50
3" x 2"	2	89.6	3.530	43	1.70	54	2.13		
3" x 1 1/2"	3	89.6	3.530	34	1.34	47.5	1.87	8	0.32
3" x 1 1/4"	3	89.6	3.530	29.5	1.16	49.6	1.95	8	0.32
3" x 1"	3	89.6	3.530	20.5	0.81	48.5	1.91	8	0.32



\* Per quote B - J si vedano caratteristiche dimensionali a pagina **VEDI DEFINITIVO**

\* For dimensions B - J refer to dimensions of s.w. fittings shown on page

<sup>(1)</sup> Le dimensioni non elencate nell'ANSI B16.11-1980 e BS 3799-1974 possono variare a seconda del produttore.

<sup>(1)</sup> Dimensions not listed in ANSI B16.11-1980 and BS 3799-1974 may vary according to the manufacturer.

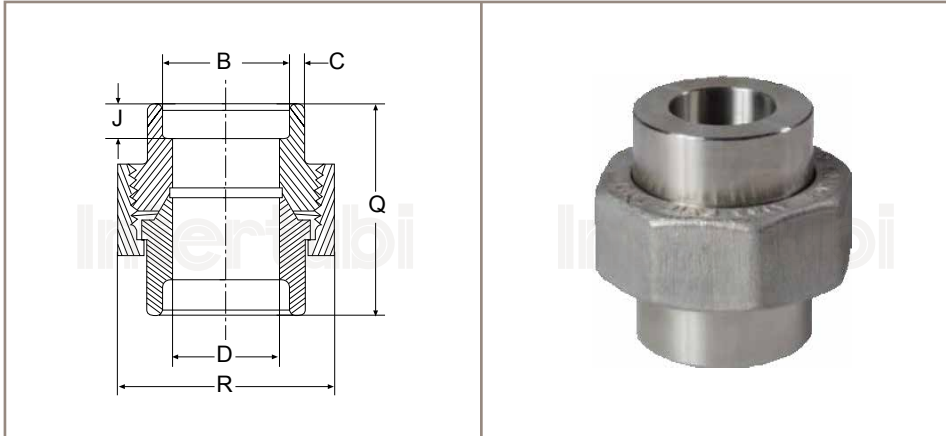


**GIUNTO TRE PEZZI**

ANSI B16.11  
3000 - 6000 LBS

**UNIONS**

ANSI B16.11  
3000 - 6000 LBS



Diam. nominale Nominal pipe size	3000				6000			
	Q <sup>(1)</sup>		R <sup>(1)</sup>		Q <sup>(1)</sup>		R <sup>(1)</sup>	
	mm	inches	mm	inches	mm	inches	mm	inches
1/4"	42.5	1.67	36.0	1.42	54.0	2.13	46.0	1.81
3/8"	47.5	1.87	41.0	1.62	57.0	2.25	51.0	2.00
1/2"	52.0	2.05	46.0	1.81	69.0	2.72	60.0	2.36
3/4"	57.0	2.25	56.0	2.20	72.0	2.84	72.0	2.84
1"	63.0	2.48	65.0	2.56	80.0	3.15	80.0	3.15
1 1/4"	68.0	2.76	80.0	3.07	89.0	3.50	94.0	3.70
1 1/2"	78.0	3.07	88.0	3.39	108.0	4.25	100.0	3.94
2"	91.0	3.50	105.0	4.06	114.0	4.49	122.0	4.80
2 1/2"	120.0	4.49	122.0	4.80				
3"	120.0	5.12	144.0	5.67				
4"	148.0	5.91	200.0	7.09				

<sup>(1)</sup> Le dimensioni non elencate nell'ANSI B16.11-1980 e BS 3799-1974 possono variare a seconda del produttore.

<sup>(1)</sup> Dimensions not listed in ANSI B16.11-1980 and BS 3799-1974 may vary according to the manufacturer.

\* Per quote B - C - D - J si vedano caratteristiche dimensionali a pagina **VEDI DEFINITIVO**

\* For dimensions B - C - D - J refer to dimensions of s.w. fittings shown on page